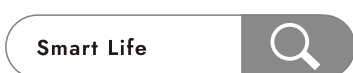




AURORA

Smart EV Charging Station

Aurora is dedicated to offering high-quality and aesthetic products. Smart EV charging station is an important category in our portfolio. With mobile app, users can achieve remote control and management over charging session scheduling, power output adjustment, authorization settings and delayed-start option.



Three colors in housing

Black, white and orange housings offer more choices for appearance.

Compact design

Wallbox is about the size of a commonly used A4 paper.

Strong ingress protection

The double-deck housing ensures high degree of protection with certified IP 65 test report.

Additional safety protection

An individual cooling plate reduces risk of overheating.

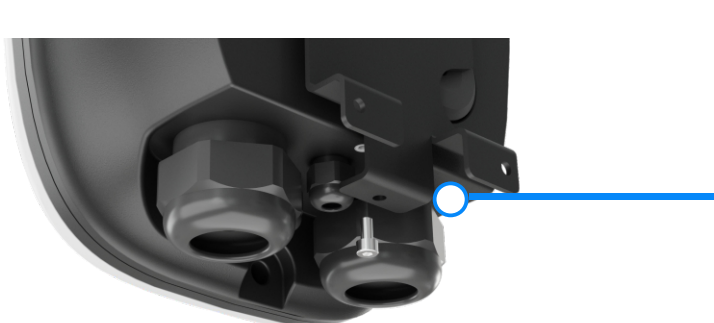


Dynamic load balancing *

With external DLB device, the charging power is adjusted automatically to protect the mains.

Anti-theft structure

The anti-theft screw on the bottom makes wallbox fixed.



***Optional**

**Model(s):**

ARR-W03C-S(16A/1-phase/3.7kW)

ARR-W07C-S(32A/1-phase/7.4kW)

ARR-W11C-S(16A/3-phase/11kW)

ARR-W22C-S(32A/3-phase/22kW)

Technical Specifications**Input&Output**

Input&Output Voltage	400V AC/230V AC(±10 %)
Rated Current	16A/32A
Charging Power	3.7kW/7.4kW/11kW/22kW
Frequency	50/60Hz

User Interface

Charging Connector Type	Type 2(IEC 62196-2)/Type 1(SAE J1772)/GB/T
Display	4.3 inch LCD display
Indicators	4 LED indicators-Power/OCPP/APP/Charge
Charging Control	APP(Default)/Plug and Play/RFID Card
Emergency Stop Button	Yes

Communication

Internet	WiFi/Bluetooth/RS 485/4G(Optional)
OCPP Protocol(Optional)	OCPP1.6 J

Protection			
Ingress Protection	IP65	Impact Protection	IK 10
Residual Current Protection	Type A(30mA AC)+6mA DC Built-in	Over/Under Voltage Protection	Yes
Over Load Protection	Yes	Short Circuit Protection	Yes
Ground Protection	Yes	Surge Protection	Yes
Over-temp Protection	Yes	Lightning Protection	Yes

Environment	
Operating Temperature	-30°C ~ +55°C
Operating Humidity	5%~95%
Altitude	<2000m
Cooling Mode	Natural cooling(Additional cooling plate on the back of wallbox for more efficient cooling)

Wallbox Mechanical	
Installation	Wall-mounted or Floor-standing with additional pole
Dimensions	320*210*120mm(H*W*D)
Weight	6kg(Depending on device version)
Packaging	Carton(470*320*270mm)
Charging Cable Length	5m or customized length
Housing	ABS+PC(Three colors available: black, white and orange)

Certificate	
Certificate	CE and RoHS
Compliance	2014/53/EU(RED)
	2011/65/EU(RoHS)
	2014/30/EU(EMC)
	2014/35/EU(LVD)
Warranty	1 year